



GENMED  
ENTERPRISES

# Trocar

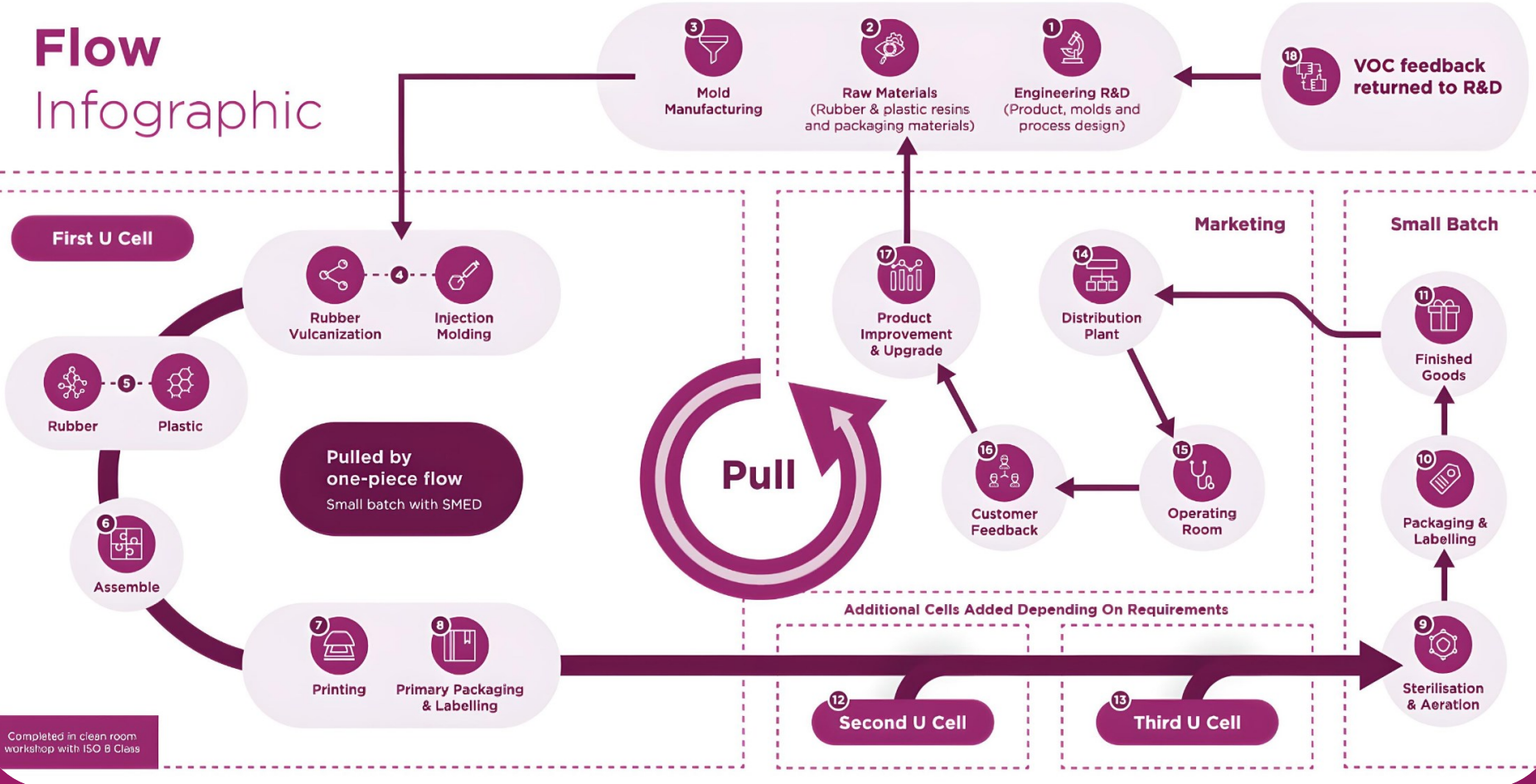
PRODUCT RANGE  
FEATURE AND BENEFIT



# HQ, R&D, WAREHOUSE & UK SERVICE CENTRE

Make improvements based on customer feedback, and opinions and implement them quickly; Serve distributors and hospitals more efficiently with minimum stock.

## Flow Infographic



## One Piece Flow

We focus on Manufacturing, Research and Development, which are at the core of everything we do. At Genmed, we strive for quality and adopt a lean culture and tools such as OPF, we have the scope to achieve 'Zero Defect', which means that our products can meet the demands and high standards that healthcare providers expect.

Quality consistency is ensured after multiple 100% inspections for each device to ensure 'TOTAL' quality

### WHY do we use One Piece Flow production over traditional methods?

#### OPF Lean Production



- ✓ 100% inspection in each process
- ✓ 100% conformance in each process



#### Traditional Batch Production

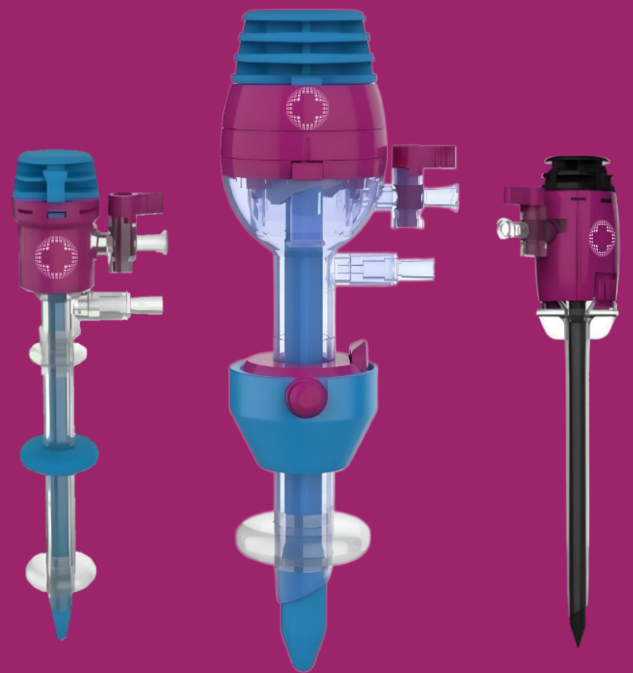


- ✓ Assuming 98% conformance rate in each process
- ✓ After 10 process, conformance rate is 82%
- ✓ After 20 process, conformance rate is 67%
- ✓ After 30 process, conformance rate is 55%

“Quality is not a problem, but a solution”

## Full Range of Various Models

Obturator: Optical, Bladeless, Bladed, and Blunt  
Cannulas: Threaded, Balloon

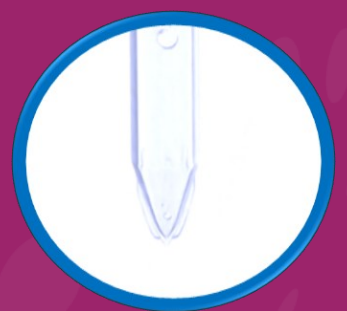
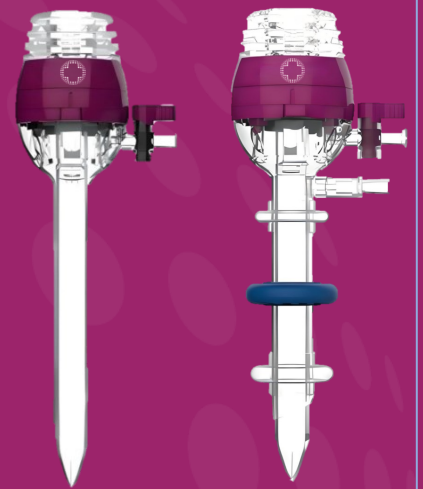


Satisfy customers' trocar needs with a comprehensive range which allows surgeons the choice to use their specific techniques to ensure safety and effectiveness.

The product range has been validated in the UK and continuously improved over the last 5 years based on the surgeons' feedback.

### OPTICAL GUIDE TROCARS

- Optical trocar design for safe insertion under the vision
- Vision is maintained for the duration of insertion
- Patent-protected seal technology
- Patient-protected lock mechanism to fix scope securely
- Dilating wings to assist with ease of insertion whilst maintaining maximum control
- Bladeless tip to minimise port site injury and reduce the rate of port site herniation
- Threaded and balloon cannulas available
- Insufflation obturator available



### ENDOSCOPE FIXATION DURING OPTICAL GUIDE ENTRY

Totally Endoscope Fixation During Optical Guided Entry Process

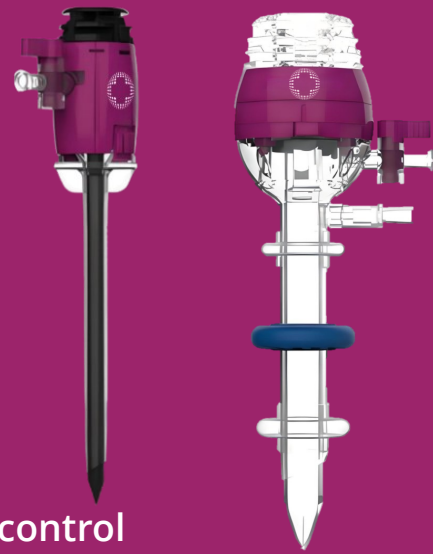
- Stable imaging during the inserting process whilst the scope is fully fixed
- Better scope protection since the scope is fixed by a full-ring
- For clinical options, compatible with both standard 5mm and high-resolution 5.5mm endoscopes.



“Quality is not a problem, but a solution”

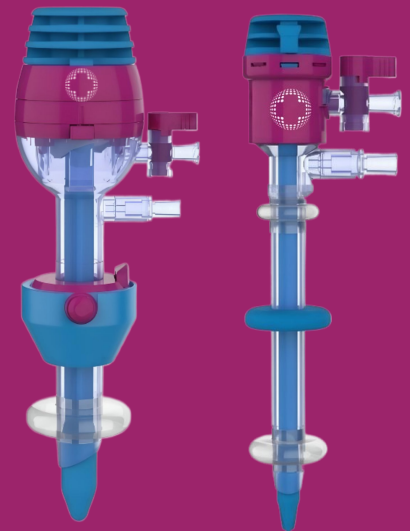
## BLADELESS TROCARS

- Threaded and balloon cannulas available
- Ergonomic design for safe insertion
- Threaded cannula for stability of trocar
- Patent-protected seal technology
- Dilating wings to assist with ease of insertion whilst maintaining maximum control
- Bladeless tip to minimize port site injury and reduce rate of port site herniation



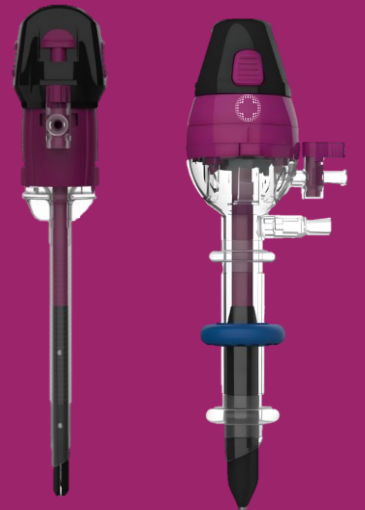
## BALLOON FIXATION TROCARS

- Various style obturators available – Optical, Bladeless, Blunt, Bladed
- Unique fixation device for stronger stability
- Patent-protected seal technology
- Patent-protected indicator balloon for gauging pressure in primary balloon
- Smooth cannula
- Ring fixation and Anchor fixation devices available



## ROBUST-BLADED DILATING TIP TROCARS

- Ergonomic design for safe and accurate insertion
- Integrated shield reset button
- Blade shield protects internal structures from damage during insertion
- Patent-protected seal technology
- Threaded and balloon cannulas available
- High-grade steel blades and rods are designed to assist with dilating as well as cutting
- Low-level insertion force required in turn preventing damage to internal structures



## UNIVERSAL CANNULAS

- Clear cannula for visualisation
- Patent-protected seal technology
- Provide optimal ordering, storage and cost-saving efficiencies
- Low profile three-way stopcock for controlled insufflation and desufflation
- Genmed trocar features a universal cannula designed to fit with all obturators



“Quality is not a problem, but a solution”

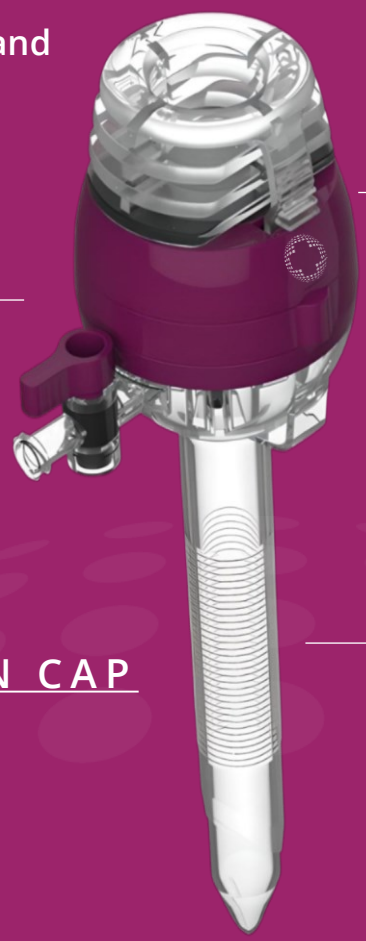


### FLOATABLE INSTRUMENT SEALING SYSTEM

- Enhance the durability of the trocar effectively and can be used for a longer time. Guaranteed pneumoperitoneum
- Increase the capacity for movement and manipulation of surgical instruments

### UNIVERSAL CONVERSION CAP

- Compatible with instruments from 5mm to 12.9mm
- Universal airtight seal chamber with low instrument drag force



### Threaded retention ridges

- Abdominal wall fixation force is stronger
- The cannula will not fall off the abdominal wall during the instrument replacement and postoperative tissue removal

### DETACHABLE CONVERSION CAP WITH ONE HAND

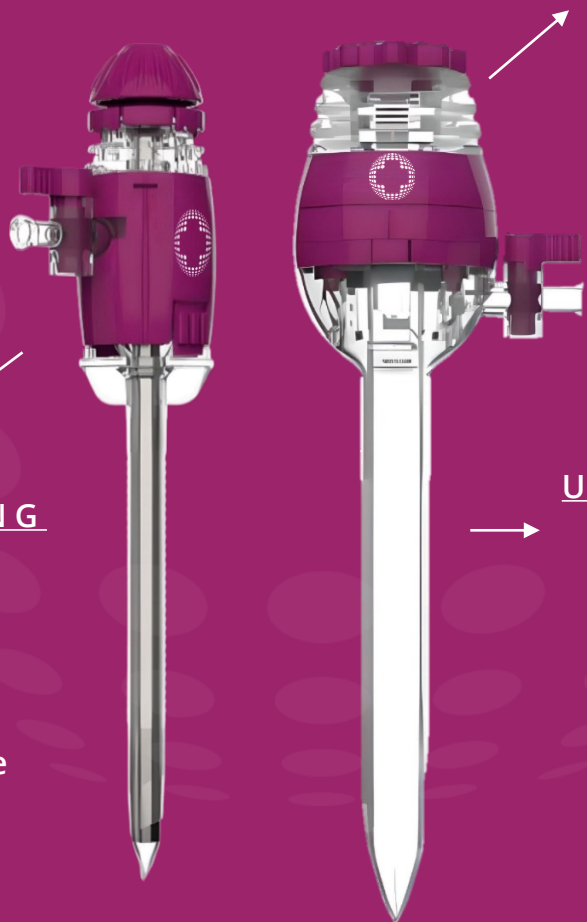
- Can be detached with one hand
- Easy & Quick deflation

### MULTIPLE VALVES SEAL DESIGN

- Ensures minimum air leakage during the operation
- Allows for durable seal and smooth instrument exchange
- Enhance the stress of surgeon posture due to low insertion and extraction force of instrumentation for all sizes of instruments

### OPTIMIZE ENDOSCOPE LOCK MECHANISM

- The patent lock mechanism enhances endoscope security, stability and visibility



### LOW PROFILE SEAL HOUSING

- Enhances external workspace while minimising interference with neighbouring ports.
- Rapid desufflation and specimen extraction
- Enhanced seal mechanism to enable easy instrument exchange

### UNIQUELY THREADED CANNULA

- Advanced threaded ribs ensure the cannula remains securely in place throughout the surgical procedure

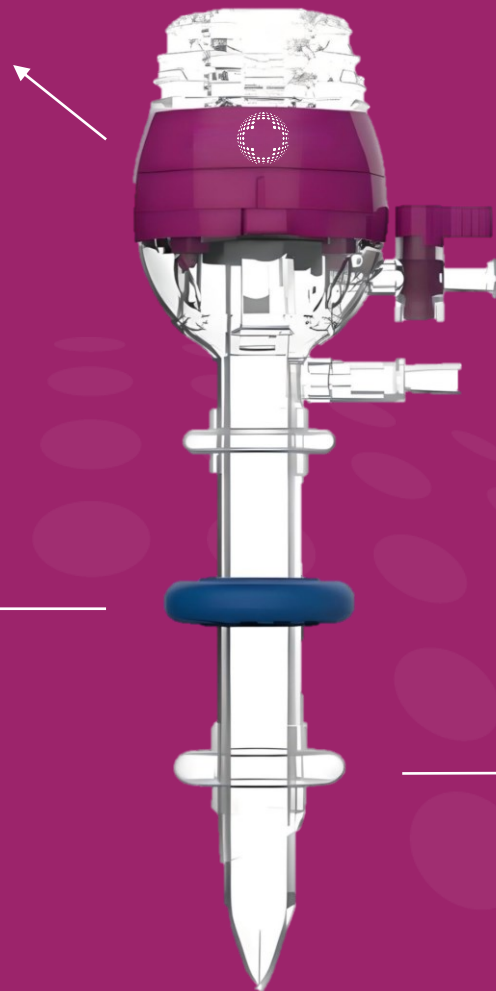
- GN-TO05XX suitable for endoscope up to 5.5ml
- GN-TO10XX suitable for endoscope up to 8ml
- GN-TO12XX suitable for endoscope up to 10.2ml

“Quality is not a problem, but a solution”



## MULTIPLE VALVES SEAL DESIGN

- Unique valve sealing design ensures minimum air leakage during the operation
- Maintains robust and stable sealing performance after multiple exchanges of heavy instruments



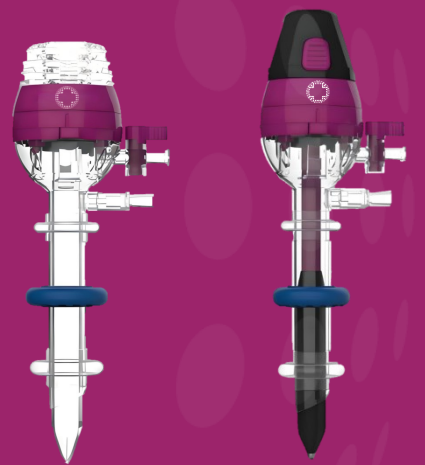
## UNIQUE RING FIXATION

- Enhanced prevention of the trocar sleeve from migrating into the abdominal cavity



Non-Latex Balloon

Optical, Bladeless and Bladed are available for balloon trocar



## UNIQUE DOUBLE BALLOONS SYSTEM

-Both balloons communicate and can avoid too much pressure which in turn squeezes tissue

-With more biocompatibility-friendly material, TPU

-Smooth material and durable

- Thinner balloon makes it easier to entry and withdraws the trocar
- Softer balloon material provides less squeeze and hurts the patient's tissue

Pressure Indicator Balloon

- More flexibility to adjust to fixation pressure per the actual clinical needs of different patients.

Indicator Balloon

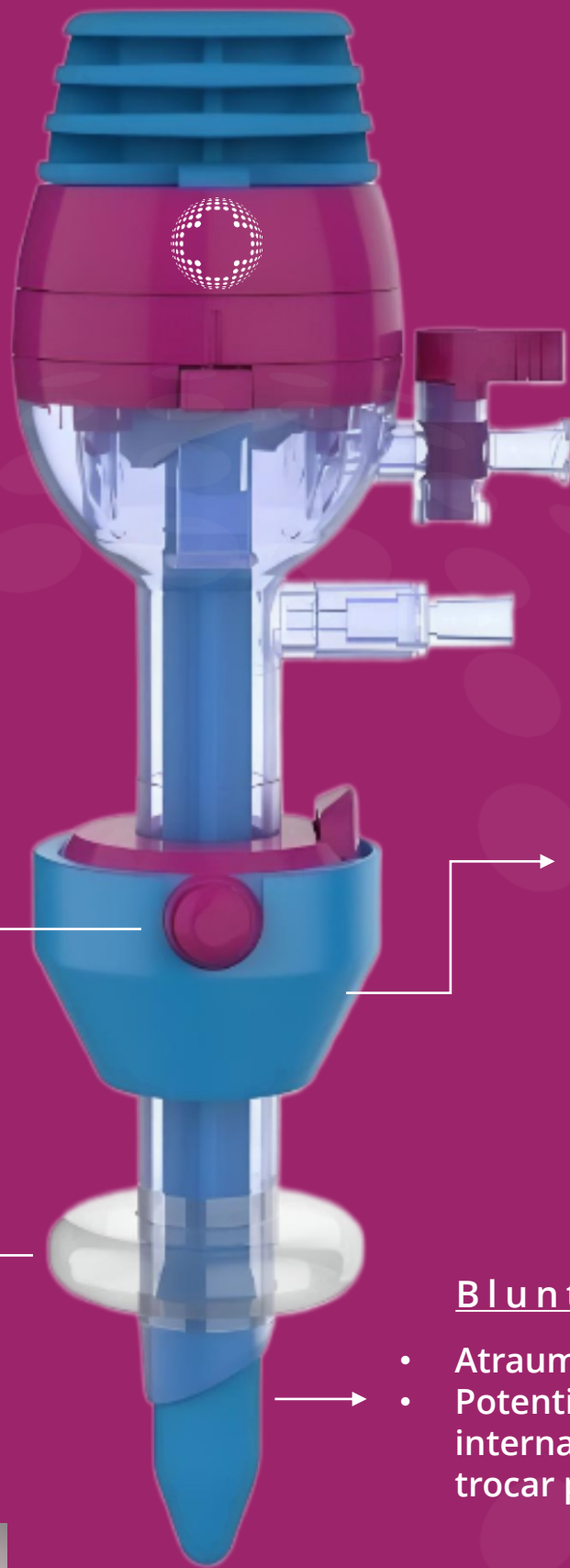


Fixation Balloon



“Quality is not a problem, but a solution”

# HASSON BALLOON TROCAR



## Suture Ties

- Optimize instrument accessibility and streamline port site sealing

## Cone Fixation

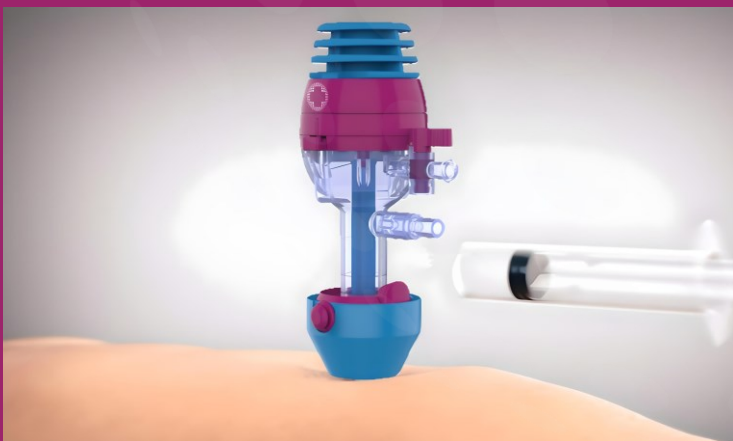
- Latch lock mechanism
- Adjustable cannula and secures cone fixation to the abdominal wall

## FIXATION BALLOON

- 20ml balloon enhance stability throughout lengthy procedures and durability
- Enhance working space and visibility
- Reduce port-site bleeding

## Blunt-Tip Obturator

- Atraumatic Tip
- Potentially reduce injury to internal organ's structure during trocar placement



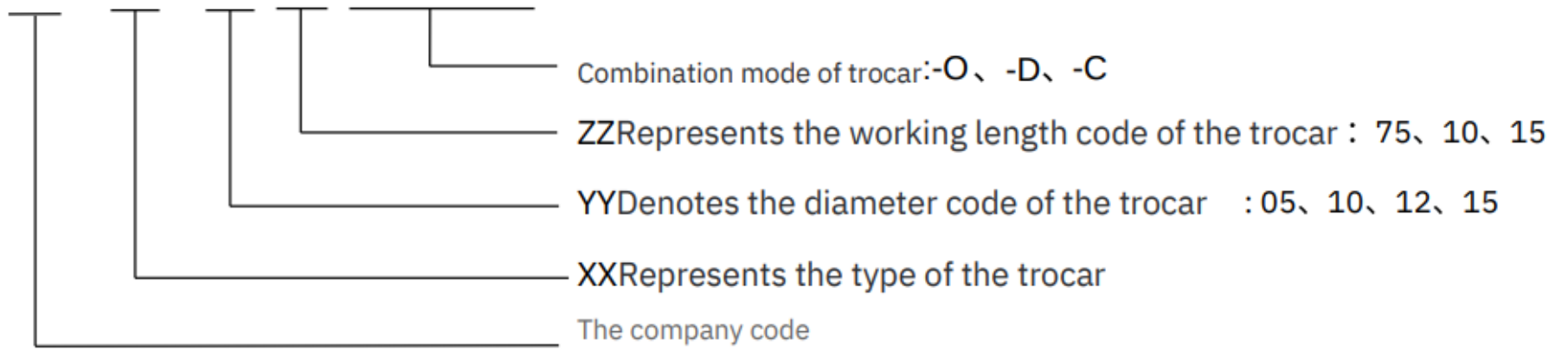
Genmed Enterprise UK Data: All trocars average acceptance rate across, insertion, seal and stability – 95.03%

“Quality is not a problem, but a solution”



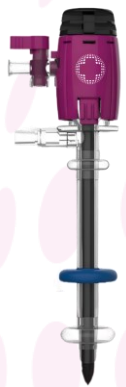
## Genmed Trocar Product Code: Suffixes

**GN-XXYYZZ(-O/D/C)**



- GN-TWF stands for Balloon Trocar
- GN-TW stands for Bladeless Threaded Trocar  
GN-TW\*\*\*\* : Optical function only available 10 & 12mm sizes  
(Note 10mm size not compatible with 10mm scope for TW range)
- GN-TO stands for Optical Threaded Trocar with Scope Fixation
- GN-TOF stands for Optical Balloon Trocar with Scope Fixation
- GN-TB stands for Bladed threaded Trocar
- GN-TBF stands for Bladed Balloon Trocar
- GN-TOHF stands for Hasson Balloon Trocar with Anchor Fixation
- O means only one obturator
- D means one obturator with two cannulas (Dual)
- C means only one cannula

### 5MM RANGE OF GENMED TROCARS



**GN-TWF05XX**  
5mm Bladeless Balloon  
with Ring Fixation Trocar



**GN-TWF07XX**  
5mm Bladeless Balloon  
with Ring Fixation Trocar



**GN-TW05XX**  
5mm Bladeless Threaded  
Trocar



**GN-TB05XX**  
5mm Bladed Threaded  
Trocar

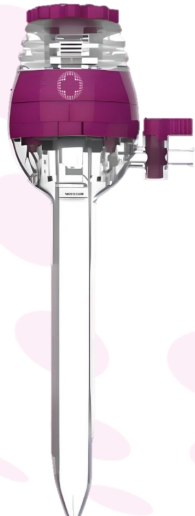


**GN-TO05XX**  
5mm Bladeless Threaded  
Optical Trocar

### 12MM RANGE OF GENMED TROCARS



**GN-TW12XX**  
12mm Bladeless Threaded  
Trocar



**GN-TO12XX**  
12mm Bladeless Threaded  
Optical Trocar



**GN-TWF12XX**  
12mm Bladeless Balloon with  
Ring Fixation Trocar



**GN-TOHF12XX**  
12mm Blunt Hasson Balloon  
with Anchor Trocar

“Quality is not a problem, but a solution”





GENMED  
ENTERPRISES



## Your Partner for Quality, Efficiency and Safety

- At Genmed, we are your trusted partner for delivering quality, efficiency and safety in medical devices. We are a global leader in medical device manufacturing, with a strong focus on research and development, ensuring we consistently pioneer innovative solutions to meet your needs.
- Our worldwide facilities empower us to efficiently and reliably produce medical devices, earning the trust of both customers and patients.
- Our commitment to enhancing healthcare speaks to our core values. We provide the highest level of treatment with the least impact on patient well-being and recovery.

For more information, please visit our website at [www.genmedltd.com](http://www.genmedltd.com)



“Quality is not a problem, but a solution”



GENMED  
ENTERPRISES

## CONTACT

For more information about our products and pricing,  
please contact us:

✉ [info@genmedltd.com](mailto:info@genmedltd.com)

☎ 02920 361444

Quality is not a problem,  
but a solution.